



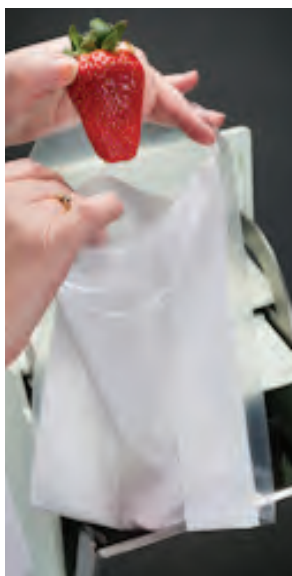
A 100% Australian owned company supplying scientific laboratories throughout Australia and overseas since 1987.



Just some of the latest and most popular laboratory products available from Rowe Scientific Pty Ltd.

Stomacher Bags

Make the change, make the GRADE!



If you're looking for a cost effective and high quality stomacher bag, then the UK made GRADE range may be the smart choice for your laboratory. GRADE have been manufacturing laboratory bags for over 40 years.

The full range of homogeniser/blender and separator bags come in a range of sizes from 80mL to 3500mL and available in straight or curved bottom, with or without filters.

GRADE bags are suitable for all types of blender machines and are made to exacting standards. Leading laboratories world-wide use GRADE bags due to their durable composition and the low likelihood of bags bursting when in use. GRADE bags are manufactured under an ISO 9001 standards.

Measure pH

pH Pen Meter.

METER, PEN TYPE, pH RANGE 0-14 IN 0.1, AUTO-CALIBRATION, WATERPROOF HOUSING

Rowe Code IM0124

\$124

- Large LCD with dual display
- IP65 Water proof
- pH/Temperature dual display
- Measuring stability indicator
- One touch auto-calibration up to 3 points
- Calibration levels adjustable
- 20 mins auto off
- Simple sleep mode disable operation
- Data hold function
- Battery low indicator
- Temperature unit selectable
- Sensor protection cap



More to see inside...



- ✓ One Stop Shop
- ✓ 100% Australian
- ✓ Online ordering
- ✓ Phone ordering
- ✓ Account Managers
- ✓ Leading Brands
- ✓ Chemicals
- ✓ Consumables
- ✓ Equipment

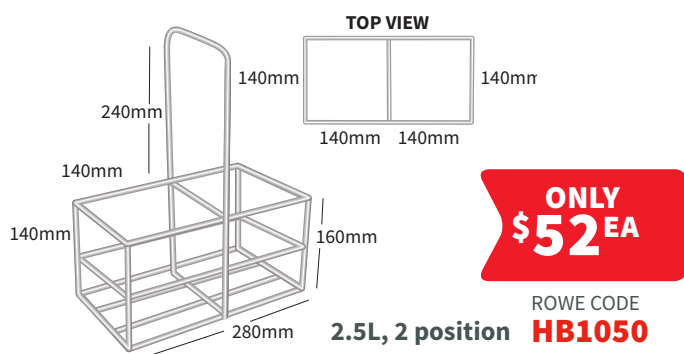
Below are just some of the leading brands we can help you with.



SAFETY IN THE LAB

Reduce the risk of dropping bottles of solvents and acids with these purpose built bottle holders.

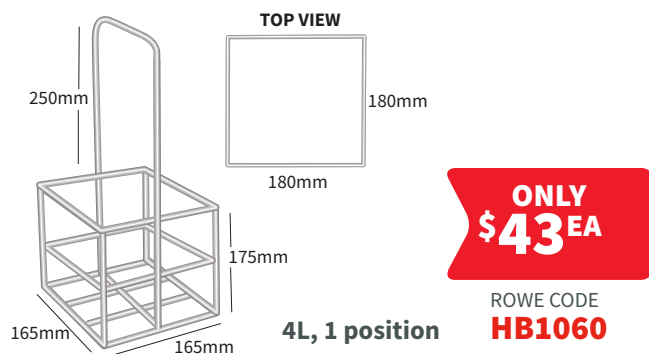
CARRIER BOTTLE 2 POSITION FOR 2.5L WINCHESTER 140x160mm I.D. EACH SIDE



ONLY \$52 EA

ROWE CODE **HB1050**

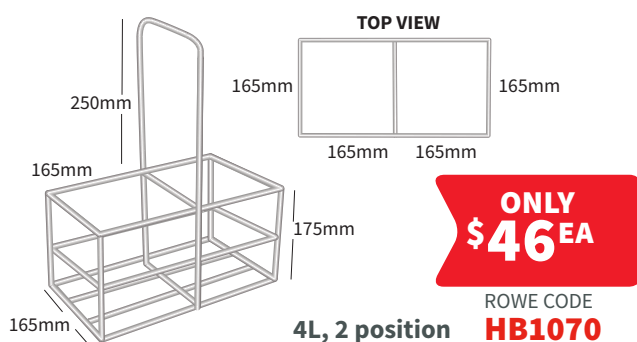
CARRIER BOTTLE SINGLE POSITION FOR 4L BOTTLE 180X180mm I.D.



ONLY \$43 EA

ROWE CODE **HB1060**

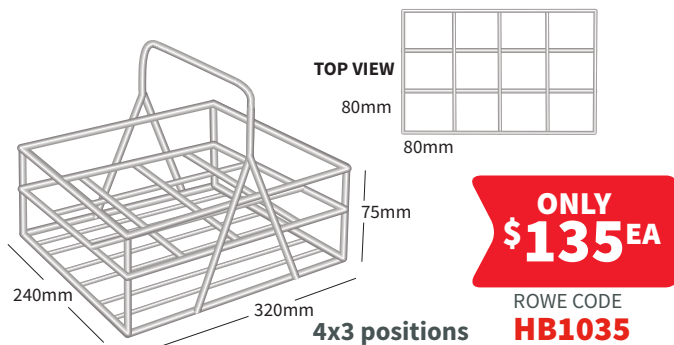
CARRIER, BOTTLE, 2 POSITION FOR 4L BOTTLE 165x165mm I.D. EACH SIDE



ONLY \$46 EA

ROWE CODE **HB1070**

CARRIER, BOTTLE, 4x3 POSITION 80x80mm I.D.



ONLY \$135 EA

ROWE CODE **HB1035**

ROWE CODE	DESCRIPTION	PRICE	SALE PRICE
HB1050	Carrier bottle 2 position for 2.5L winchester (white plastic coated wire)	\$55.44	\$52
HB1060	Carrier bottle single position for 4L bottle (white plastic coated wire) 180x180mm I.D.)	\$46.20	\$43
HB1070	Carrier bottle 2 position for 4L bottle (white plastic coated wire) 165x165mm I.D. each side	\$49.06	\$46
HB1035	Carrier bottle 4x3 position 80x80mm I.D.	\$142.50	\$135

Safety Glasses - Call for prices.

Bolle Axis 2 anti scratch anti fog clear lens	NG0011
Bolle Cobra spectacle anti scratch anti fog clear lens	NG0021
Bolle Hustler anti scratch anti fog clear lens gloss black frame	NG0037
Bolle Overlight II anti scratch anti fog clear lens	NG0050
Bolle Prism anti scratch anti fog clear lens	NG0055
Bolle Prism Seal anti scratch anti fog clear lens	NG0063
Bolle Rush+ seal platinum anti scratch anti fog clear lens	NG0083
Bolle Blade clear lens	PS1176
Bolle Rush plus, clear lens	PS0230

PS1176

NG0063

Hands up who uses protection in the lab? Talk to us about our comprehensive GLOVE ranges.





A 100% Australian owned company since 1987.

APRIL - JUNE 2019

ROWE SCIENTIFIC PTY LTD

LABLIKES

Laboratory Bottles - Glass



Description	mL	PACK SIZE	PACK SALE PRICE EX GST	ROWE CODE
-------------	----	-----------	------------------------	-----------

Bottles Laboratory - Clear

Bottle With Blue Screw Cap 250mL Borosilicate Glass	250	10	33.67	GB7955
Bottle With Blue Screw Cap 500mL Borosilicate Glass	500	10	41.67	GB8005
Bottle With Blue Screw Cap 1L Borosilicate Glass	1000	10	68.33	GB8055
Bottle With Blue Screw Cap 2L Borosilicate Glass	2000	10	112.67	GB8105
Bottle With Blue Screw Cap 5L Borosilicate Glass	5000	6	484.80	GB8155

Bottles Laboratory - Amber

Bottle 250mL Amber Stained (Without Screw Cap) Borosilicate Glass	250	2	44.67	GB8007
Bottle Round Amber 500mL Borosilicate Glass (Without Cap Or Pouring Ring)	500	2	56.77	GB0080
Bottle 1L Amber With Cap And Pouring Ring	1000	2	73.73	GB8061
Bottle Round Amber 1L Borosilicate Glass (Without Cap Or Pouring Ring)	1000	2	72.10	GB0083
Bottle Round Amber 2L Borosilicate Glass (Without Cap Or Pouring Ring)	2000	2	116.60	GB0084

Caps & Pouring rings

Cap Only GL45 (Blue)	CAP	100	60.00	GB8333
Cap GL45 (Red)	CAP	10	16.33	GB8357
Cap GL45 (Red) With PTFE Liner	CAP	10	69.00	GB8342
Pouring Ring GL45 (Blue)	RING	100	16.67	GB8302
Pouring Ring GL45 (Red)	RING	10	15.67	GB8358

Laboratory Bottles - Plastic



Description	mL	PACK SIZE	PACK SALE PRICE EX GST	ROWE CODE
-------------	----	-----------	------------------------	-----------

Polypropylene With Polypropylene Screw Cap

Bottle Wide Mouth Boston 60mL Polypropylene With Polypropylene Screw Cap Autoclavable	60	12	169.07	PB0207
Bottle Wide Mouth Boston 125mL Polypropylene With Polypropylene Screw Cap Autoclavable	125	12	213.60	PB0217
Bottle Wide Mouth Boston 250mL Polypropylene With Polypropylene Screw Cap Autoclavable	250	12	22.67	PB3337
Bottle Wide Mouth Boston 500mL Polypropylene With Polypropylene Screw Cap Autoclavable	500	12	30.67	PB3319
Bottle Wide Mouth Boston 1L Polypropylene With Polypropylene Screw Cap Autoclavable	1000	12	48.44	PB3390
Bottle Wide Mouth Boston Polypropylene 2L With Polypropylene Screw Cap Autoclavable	2000	12	174.13	PB0036

Hdpe With Polypropylene Screw Cap

Bottle Wide Mouth Boston 30mL HDPE With Polypropylene Screw Cap	30	12	120.80	PB0202
Bottle Wide Mouth Boston 60mL HDPE With Polypropylene Screw Cap	60	12	149.87	PB0205
Bottle Wide Mouth Boston 125mL HDPE With Polypropylene Screw Cap	125	12	13.33	PB2249
Bottle Wide Mouth Boston 250mL HDPE With Polypropylene Screw Cap	250	12	20.80	PB2319
Bottle Wide Mouth Boston 500mL HDPE With Polypropylene Screw Cap	500	12	28.00	PB2499
Bottle Wide Mouth Boston 1L HDPE With Polypropylene Screw Cap	1000	12	54.40	PB2579

We also offer a similar range of products available in narrow mouth.

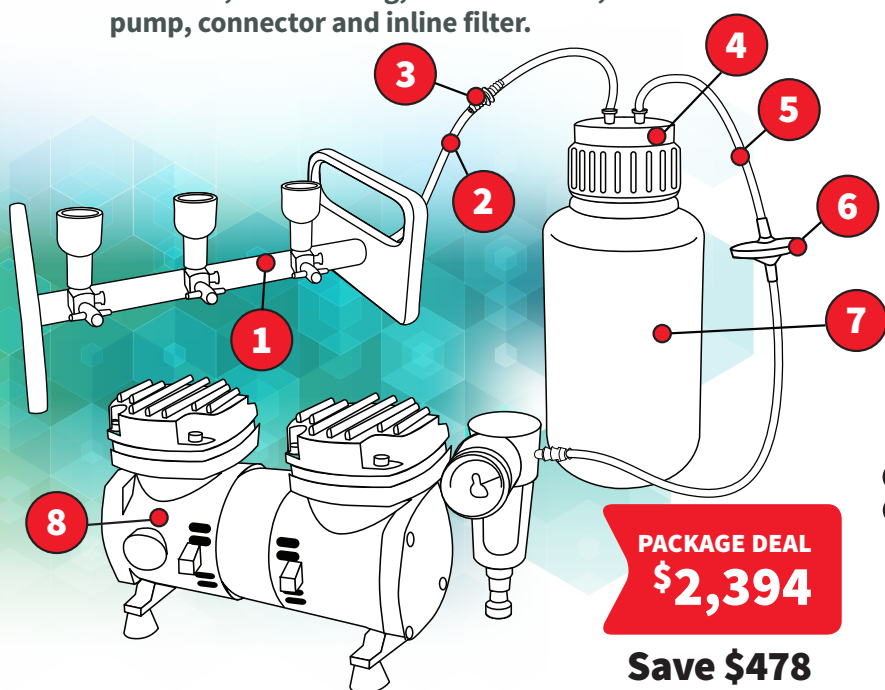
If you can't see what you're looking for in this selection, call us for further information and pricing. Or search our web store. www.rowe.com.au



MICROBIOLOGY & INDUSTRIAL

3 PLACE MICROBIOLOGY FILTRATION PACKAGE

This package includes everything you need to accommodate a simple microbiological filtration scenario. Included is a **3 place manifold, 2m of tubing, vacuum bottle, pump, connector and inline filter.**



PACKAGE DEAL
\$2,394
Save \$478



1 **FM0039**
3 PLACE FILTRATION MANIFOLD

- Made from stainless steel and PTFE
- Autoclavable
- Suits No. 8 stopper
- 11mm barbed hose fitting



7 **PB0287**
HEAVY DUTY VACUUM BOTTLE

- Made from heavy duty polypropylene
- Autoclavable
- Comes with screw cap with no holes



6 **FF0416**
INLINE FILTER

- 50mm diameter
- 0.45 micron hydrophobic PTFE membrane
- Sterile and individually wrapped



4 **PC0189**
SCREW CAP CLOSURE

- 83mm neck I.D.
- Used for 4L heavy duty vacuum bottles
- 1/4 inch barbed tubing ports

ROWE CODE	DESCRIPTION	PRICE	SALE PRICE
1 FM0039	Manifold vacuum filtration 3-place stainless steel suits size No.8 stopper, 11mm barbed fitting	\$1,609.50	\$1,390.00
2 PT2900	Tubing vinyl clear 10mm I.D 13mm O.D, 1.5mm wall	\$2.44/m	\$2.20/m
3 PC2620	Connector straight 6.3-9-11mm	\$1.49 ea	\$1.37ea
4 PC0189	Cap, screw closure 83mm neck I.D for 4L heavy duty vacuum bottle with 1/4 inch barbed tubing ports for filling/venting	\$80.00	\$69.00
5 PT2800	Tubing 6mm I.D., 9.0mm O.D., 1.5mm wall, clear vinyl	\$1.90/m	\$1.90/m
6 FF0416	Filter unit in-line 50mm diameter 0.45 micron hydrophobic PTFE membrane stepped hose barb, sterile	\$23.72	\$19.00
7 PB0287	Bottle heavy duty vacuum 4L polypropylene autoclavable with screw cap (no holes)	\$138.56	\$80.00
8 IP2034	Vacuum pump oil free piston R-series 34L/min 106mbar ultimate vacuum	\$1012.85	\$829.00





A 100% Australian owned company since 1987.

APRIL - JUNE 2019

ROWE SCIENTIFIC PTY LTD

LABLIKES

VACUUM FILTRATION KIT **SALE**

6 PLACE INDUSTRIAL FILTRATION PACKAGE

This package includes everything you need to accommodate a simple industrial filtration scenario. Included is a **6 place manifold, 2m of tubing, vacuum bottle, pump and inline filter.**



PT2800 PT2900

2 CLEAR VINYL TUBE

- PT2800 - 6mm I.D., 9.0mm O.D
- PT2900 - 10mm I.D., 13mm O.D
- Durable vinyl
- 1.5mm wall thickness



HV1278

1 6 PLACE FILTRATION MANIFOLD

- Made from stainless steel
- Autoclavable
- 8mm barbed hose fitting



IP2034

6 PISTON VACUUM PUMP

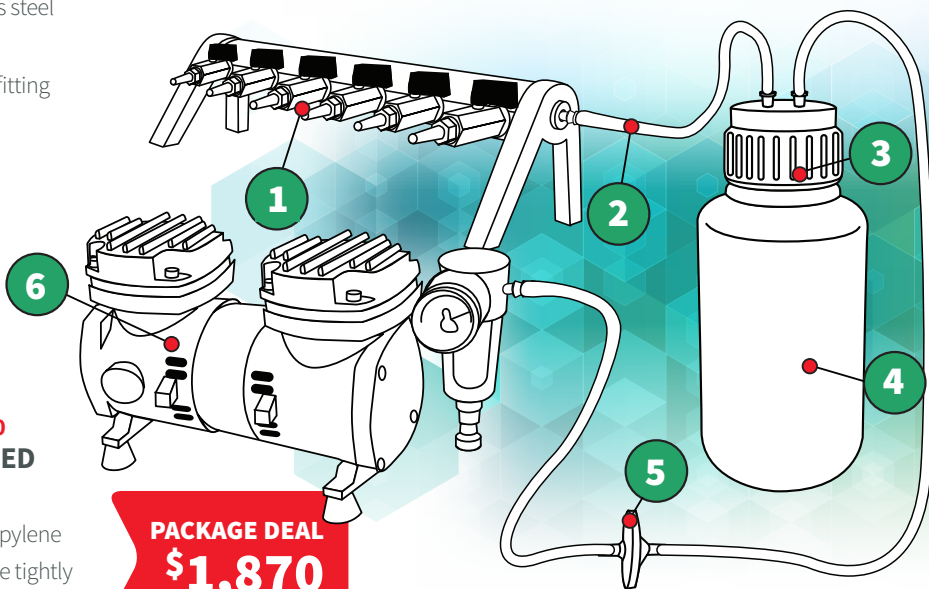
- 34L per minute capacity
- 106mbar maximum vacuum capacity
- 125 watt motor



PC2620

3 STRAIGHT BARBED CONNECTOR

- Made from polypropylene
- Serrations hold tube tightly to prevent slipping
- Autoclavable



PACKAGE DEAL

\$1,870

Save \$422

ROWE CODE	DESCRIPTION	PRICE	SALE PRICE
1 HV1278	Vacuum pump manifold stainless steel 6 outlet with 8mm diameter barbed fittings	\$1033.13	\$870.00
2 PT2800	Tubing 6mm I.D., 9.0mm O.D., 1.5mm wall, clear vinyl	\$1.90/m	\$1.71/m
3 PC0189	Cap, screw closure 83mm neck I.D for 4L heavy duty vacuum bottle with 1/4 inch barbed tubing ports for filling/venting	\$80.00	\$69.00
4 PB0287	Bottle heavy duty vacuum 4L polypropylene autoclavable with screw cap (no holes)	\$138.56	\$80.00
5 FF0416	Filter unit in-line 50mm diameter 0.45 micron hydrophobic PTFE membrane stepped hose barb, sterile	\$23.72	\$19.00

SALE PRICE IN ABOVE TABLE IS ONLY VALID WHEN PURCHASING AS A PACKAGE

Watch our Laboratory Filtration Demo clip on our website



FILTER ACCESSORIES



PF2701

FUNNEL FILTER/HOLDER MAGNETIC 47mm 300mL

These filters have a unique magnetic seal which allows for easy one handed liquid filtration. Constructed of polyphenylsulfone which is compatible with most anti-foaming agents and

many other solvents. Graduated at 50mL increments for accurate sample measurement.



PF1180

FILTER HOLDER 47mm POLYSULFONE 350mL FUNNEL WITH STEM & No.8 STOPPER, GRAVITY SEAL

A two-piece polysulfone analytical funnel with a unique gravity sealing design. No clamps or locking devices to manipulate. Instead, the Gravi-Seal™

allows easy one-handed operation without danger of filter bypass or sample leakage. Takes a standard 47mm membrane.



GF1154

FILTER HOLDER GLASS FUNNEL 47mm 300mL, CLAMP, SUPPORT BASE, No. 8 STOPPER

The 47mm glass filter holder is designed for vacuum filtration of aqueous and solvent solutions (<500mL) or for analysis of particulate or microbiological

contamination. These holders have a sintered glass base which is recommended for general filtration.

Contact us today for more information on your laboratory filtration requirements.



FV0001

FILTER HOLDER 47mm 300mL GLASS FUNNEL AND 1L GLASS COLLECTION FLASK

This includes a 300mL glass funnel, glass support base, 1L glass solvent collection flask, anodised aluminium clamp and 50cm of vacuum tubing. Glass components are constructed entirely of borosilicate glass.

Incorporates a 10mm diameter barbed fitting. Recommended for HPLC solvent filtration.



PF1202

FILTER HOLDER WITH RECEIVER 47mm, 500mL FUNNEL AND RECEIVER, POLYSULFONE

These polysulfone (PSF) filter holders have a 500mL upper chamber and 500mL receiver (all graduated in 50-mL increments). The holder accepts a 47mm diameter membrane. Also available in 250mL (Rowe code PF1216) and 1000mL (Rowe code PF1209)



MEMBRANES

Membranes are available in a huge range of diameters and pore sizes. A large variety of samples are available for trial.

ROWE CODE	DESCRIPTION	PACK SIZE
FF0001	Filter membrane 47mm 0.45 micron mixed cellulose esters	200
FF0007	Filter membrane 47mm 0.8 Micron mixed cellulose esters	200
FF0016	Membrane filter white, gridded sterile 47mm 0.45 micron	200
FF0331	Filter membrane 47mm 0.45 micron, PTFE hydrophilic (PTFE-L)	100
FF0286	Filter membrane 47mm 0.22 micron, polyethersulfone (PES)	100
FF0278	Filter membrane 47mm 0.45 micron cellulose acetate (CA)	100
FF0010	Filter membrane 47mm 5.0 micron PTFE hydrophobic	100





Microscopes

**BINOCULAR
BIOLOGICAL
COMPOUND
MICROSCOPE**
EM0141

\$964

Or \$899.30 each if you buy 5 or more.
WAS \$1,374



**TRINOCULAR
BIOLOGICAL
COMPOUND
MICROSCOPE**
EM0142

\$1,098

Or \$1,028.27 each if you buy 5 or more.
WAS \$1465



- 4X/10X/40X/100x objective
- Wide field eyepiece with pointer
- 3 Watt LED with intensity controlled illumination
- Built in mechanical stage with sample holder

Microscopy is a far too big a subject for one page. If you are seeking something specific, please call your local Rowe Scientific office.

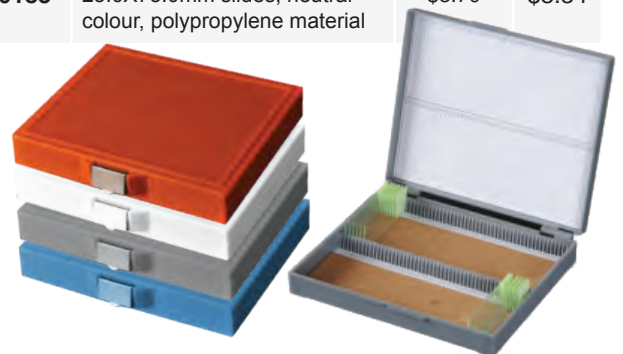


Microscopes Accessories

ROWE CODE	SLIDES	50 + PACKS EA	1 - 49 PACKS EA
EM0077	Microscope slides, plain, standard grade, interleaved, ground edges, 90° corners, 75.0 x 25.0 x 1.0mm	\$4.21	\$4.68
GM0006	Microscope slide plain, super grade, ground edges, 45° clipped corners, dimension 75.0x25.0x1.1mm	\$3.97	\$5.29
GM2715	Microscope slides, frosted one end/one side, 45° clipped corners, ground edges, 75.0x25.0mm, tissue interleaved/cellophane packed, glass	\$3.52	\$4.71



ROWE CODE	SLIDE STORAGE	EACH	10 OR MORE
PM4058	Microscope slide box 100 place, fits 76.2x25.4mm with steel lock and mounted index card, abs plastic, red, white, blue, grey available	\$17.44	\$14.27
PS0236	Slide tray 20-place, fast-read, w/dividers, w/o lid, suitable for 25.0x75.0mm slides, green colour, polystyrene material	\$10.89	\$9.80
PS0177	Slide tray w/dividers & lid, cardboard, for 20 pcs of 25.0X75.0mm slides (5 piece pack)	\$30.24	\$25.27
PS0183	Slide mailer for 5 pcs of 25.0X75.0mm slides, neutral colour, polypropylene material	\$3.70	\$3.34



Desiccators

Secador® 2.0, 3.0 and 4.0 Auto-Desiccator Standard cabinets



Size Specifications

Model	Internal Volume	Capacity (355mL cans)	# of Shelves	Height
2.0	1.16 cu. ft.	40	2	31.4cm (12.4")
3.0	1.55 cu. ft.	60	3	41.7cm (16.4")
4.0	1.87 cu. ft.	70	3	51.8cm (20.4")

Interchangeably Stackable up to 3 Units High

All units have a compact 34.1cmW x 41.4cmD (13.4" x 16.3") footprint

- Doors open to the left
- Different colors are available to suit your needs

ROWE CODE	CATALOG NO.	MODEL	DESCRIPTION
CS4240	F42072-1220	2.0	Clear 1.2 cu. ft. 31.4cm (12.4")
PD1512	F42073-1220	3.0	Clear 1.6 cu. ft. 41.7cm (16.4")
CS4241	F42073-1228	3.0	Amber (50+% visible light blocking) 1.6 cu. ft. 41.7cm (16.4")
PD1510	F42074-1220	4.0	Clear 1.9 cu. ft. 51.8cm (20.4")

For more on the Secador® desiccator range, download our brochure from our web store downloads section at www.rowe.com.au or use the QR code below.



Desiccants

DESICCANTS

CS7482 SILICA GEL SELF INDICATING 2-5mm ORANGE (*R207+)

CS7455 SILICA GEL SELF INDICATING GRANULES 5-10 MESH BLUE (*R207+)

CD2565, CD2566, PD1507 DESICCATOR DESI-CAN DESICCANT CANISTER (F420460000).

CD1958 DESICCATOR CARTRIDGES, DIAM. 65mm (2.5 inch)

CD1959 DESICCATOR CARTRIDGES, DIAM. 100mm (4 inch)

We can also help you with CRM's (Certified reference materials) and solid standards.





Mini Centrifuge

Looking for an affordable centrifuge?



ROWE CODE
IC0039

Here is the high speed spin on the **DLAB D1008**

- Small footprint to conserve laboratory space
- Low noise operation ($\leq 45\text{dB}$)
- Change rotor without tools
- Ability for continuous operation
- Maximum RCF of 2680xg
- For strips and 8x2mL tubes (2 rotors)
- 7000rpm DC motor for speed and durability
- Incorporates an electronic brake which spins down the centrifuge in seconds.

ONLY \$229^{EA}

Or \$199 each if you buy 5 or more!



The above is just a sample of what we can offer. Please call us if you don't see what you are looking for.

Centrifuge Tubes



Description	mL	PACK SIZE	PACK SALE PRICE EX GST	ROWE CODE
-------------	----	-----------	------------------------	-----------

Microcentrifuge Tubes

Tube Microcentrifuge 0.5mL Dnase/Rnase/Pyrogen Free Green Autoclavable Polypropylene	0.5	1000	25.90	PT0227
Tube Microcentrifuge 0.5mL Dnase/Rnase/Pyrogen Free Natural Autoclavable Polypropylene	0.5	1000	21.58	PT0228
Tube Microcentrifuge 1.5mL Dnase/Rnase/Pyrogen Free Assorted Colours Autoclavable Polypropylene	1.5	100 x 5	13.88	PT0167
Tube Microcentrifuge 1.5mL Dnase/Rnase/Pyrogen Free Natural Autoclavable Polypropylene	1.5	500	9.87	PT0159
Tube Microcentrifuge 2.0mL Dnase/Rnase/Pyrogen Free Natural Autoclavable Polypropylene	2.0	500	11.10	PT0166
Tube Microcentrifuge 2.0mL Frosted Dnase/Rnase/Pyrogen Free Assorted Colours Polypropylene	2.0	500	15.62	PT0174

Microcentrifuge Tubes - Ultra Low Retention

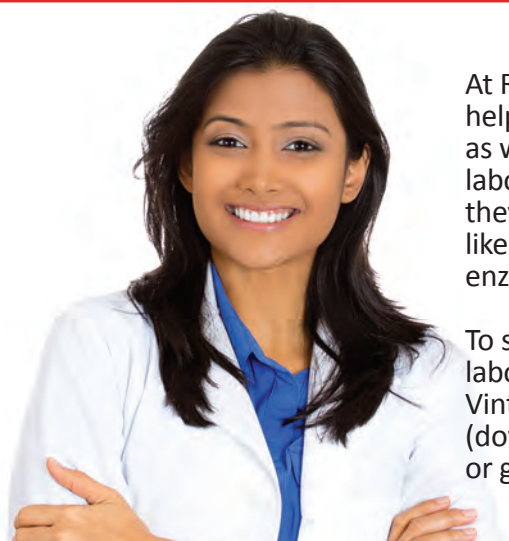
Tube Microcentrifuge Ultra Low Retention 1.5mL Dnase/Rnase/Pyrogen Free Autoclavable Polypropylene	1.5	250	12.33	PT0158
Tube Microcentrifuge Ultra Low Retention 2mL Dnase/Rnase/Pyrogen Free Autoclavable Polypropylene	2.0	250	13.88	PT0165

Centrifuge Tubes

Tube Centrifuge 15mL Sterile Conical Bottom 120mmH X 16mmD Polypropylene	15	500	89.42	PT1771
Tube Centrifuge 50mL Self Standing (With Skirt) Conical Bottom 115mmH X 28mmD Polypropylene Blue Cap	50	500	126.27	PT0321
Tube Centrifuge 50mL Sterile Conical Bottom 115mmH X 28mmD Polypropylene	50	500	117.17	PT1170
Tube Centrifuge Non Sterile Conical Bottom 50mL 115mmH X 28mmD Polypropylene	50	500	104.83	PT1171
Tube Centrifuge Non Sterile Conical Bottom 15mL Autoclavable Polypropylene	15	500	77.08	PT0223



Enzyme Kits for the winery testing laboratories



At Rowe Scientific we strive to help specialised clients such as wine producers and allied laboratories find the products they need to do their work, like the trusted Vintessentials enzyme testing kits.

To see our complete range of vintage laboratory products, download our latest Vintage Catalogue at www.rowe.com.au (downloads tab). Or scan the QR code below, or give us a call and we will mail one to you.



CODE	DESCRIPTION	PACK SIZE	PRICE
KA0029	Acetic Acid Test kit (30 Tests) for Wine Testing	KIT	\$168.00
KA0030	Acetic Acid Test Kit (100 Tests) for Wine Testing	KIT	\$453.00
KP0042	Primary Amino Acid Nitrogen Test Kit (30 Tests) for Wine Testing	KIT	\$68.00
KA0032	Ammonia Test Kit (30 Tests) for Wine Testing	KIT	\$76.00
KC0038	Citric Acid Test Kit (30 Tests) for Wine Testing	KIT	\$126.00
KD0021	D-Gluconic Acid Test Kit (30 Tests) for Wine Testing	KIT	\$149.00
KD0022	D-Glucose & D-Fructose Test Kit (30 Tests) for Wine Testing	KIT	\$107.00
KD0023	D-Glucose & D-Fructose Test Kit (100 Tests) for Wine Testing	KIT	\$289.00
KL0015	L-Lactic Acid Test Kit (30 Tests) for Wine Testing	KIT	\$129.00
KL0016	L-Malic Acid Test Kit (30 Tests) for Wine Testing	KIT	\$99.00
KL0017	L-Malic Acid Test Kit (100 Tests) for Wine Testing	KIT	\$275.00
KS0038	Sucrose/D-Glucose/D-Fructose Test Kit (30 Tests) for Wine Testing	KIT	\$129.00
KY0002	Yeast Assimilable Nitrogen (YAN) Calibration Standards (8 Vials) for Wine Testing	KIT	\$89.00



VINTESSENTIAL[®]

DISCRETE ANALYSER ENZYME KITS

KA0031	"Acetic Acid Analysis Test kit for Discrete Analysers (Up to 500 Tests) for Wine Testing"	KIT	\$249.00
KP0043	"Primary Amino Acid Nitrogen Test kit for Discrete Analysers (Up To 500 Tests) for Wine Testing"	KIT	\$108.00
KA0033	Ammonia Test kit for Discrete Analysers (Up To 500 Tests) for Wine Testing	KIT	\$120.00
KD0024	"D-Glucose & D-Fructose Analysis Test kit for Discrete Analysers (Up To 500 Tests) for Wine Testing"	KIT	\$118.00
KD0025	"L-Malic Acid Test kit for Discrete Analysers (Up To 500 Tests) for Wine Testing"	KIT	\$124.00
KC0039	Combined Standards kit for Discrete Analysers (6 vials of varying Concentrations of the main Wine Components Analysed Enzymically) for Wine Testing	KIT	\$89.00



Download our 2019 Vintage laboratory supplies catalogue

Other ranges online which may interest you ...



TPX Measuring Cylinders



Microfiltration accessories



LeadFluid Peristaltic Pumps

Or explore at www.rowe.com.au and Click the downloads tab.



How to order online at your convenience using the Rowe Scientific Web Store and its easy to use features.

As a guest, when you arrive at the Rowe Scientific Web Store, you can search for products and populate a trolley. To obtain pricing, please request a quote on your trolley of products. Clients with a login account will see pricing directly, and will be able to place orders over the Rowe Scientific Web Store.

How to Log In

If you have a login account, enter your username and password in the login panel at the top right hand corner. This will log you into your personalised Web Store account and show your special pricing.

Your Welcome Panel

When you have successfully logged in, you will see your welcome panel to the right. Here you will find some useful features that are explained on this page.

My Backorders

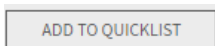
My backorders is a searchable list of your current back orders with Rowe Scientific. This data is updated overnight to keep you fully informed.

Quick Order

YOUR TEN MOST PURCHASED ONLINE ITEMS			
Enter quantity on any of the items in the below lists then hit the 'Add all to Trolley' button at the bottom of the page.			
Items		Qty	UOM
CB3515	BUFFER pH 10.00 (BLUE) SOLUTION NIST TRACEABLE, IN CONTAMINATION PROOF BOTTLE (R608+)	\$79.71	500ml
FP1041	FILTER PAPER 25.0cm WET STRENGTHENED (MN722) IN BROWN PAPER PACKING PARTICLE RETENTION IS BETWEEN 7-12 MICRON (400722025)	\$44.82	100

Quick Order allows you place orders from a list of routinely ordered products. There are two parts to your quick order page. Your top ten recent purchases or a manual list made up of items you add to your quick order list which are grouped by product type e.g. Glassware for glass beakers etc.

To add a product to your quick order list, click on the add to quicklist button on the product listing. If the button does not appear on an item, it is already in your quick order list.



To order items directly by quick order list, simply enter the quantity required for each item being ordered then select the add to trolley button. You will see these items appear in your 'trolley' panel and the total value of your order.

You can continue searching and shopping for products or view your trolley and process your order.

Please note: only orders placed online appear in the list below

view last 10 orders

Order No. 211611 / Customer Ref. Caritest

Product ID	Description
FF2227	FILTER PAPER 15.0cm SIMILAR TO Gr4 (MN417) (4340)
FF4640	FILTER PAPER GLASS FIBRE 11.0cm SIMILAR Gr GF/B

Order History

Here you can see a list of recent online orders placed via our Web Store.

Search all stock...

The Search Bar

The search bar functionality on the right allows you to string key words together as you would a Google search. e.g. 'beaker 250ml' the results will list those items found which best match the exact criteria to the top of the results page. When you use the product filter buttons a second inner search bar appears in the search results page allowing you to drill down from the results using key words.

Search by YOUR part number

We can upload your part numbers (where supplied by you) for contract lines allowing you to also search by your part number for easy and accurate ordering of what you need. Your part number will appear in red in brackets directly after the Rowe code.

FF2900 (10617517) FI
(MN1672) (472032)
 Unit:100 Local Stock:64
 Est. Lead days if no local or

See your agreed pricing

You will see your agreed contract and special pricing. This is indicated by the words **Your contract/special price** above the price.

Your Special price

\$10.00

VOLUME PRICING

QTY

Availability

You can check the availability and estimated lead times on products. Faster lead times may be available on request. The national stock is the total of our stock across the country.

TRACEABLE, IN CONTAMINATION PRO (R608+)

Unit:500ml Local Stock:463 National Stock:76

Est. Lead days if no local or national stock:5

VIEW | EDIT | ADD TO QUICKLIST

Account manager use.

USERNAME: _____ PASSWORD: _____

If you don't have a Rowe Scientific login, go to www.rowe.com.au and click the register tab to request one.



www.rowe.com.au

Online 24 hours 7 days a week, by phone or face to face,
we give you the choice.



South Australia & NT
Ph: (08) 8186 0523
rowesa@rowe.com.au

Queensland
Ph: (07) 3376 9411
roweqld@rowe.com.au

Victoria & Tasmania
Ph: (03) 9701 7077
rowevic@rowe.com.au

Western Australia
Ph: (08) 9302 1911
rowewa@rowe.com.au

New South Wales & ACT
Ph: (02) 9603 1205
rowensw@rowe.com.au



A 100% Australian owned
company since 1987.



REF-547 Prices do not include GST. We reserve the right to change specifications, details and descriptions without notice. Pictures for illustrative purposes only. Discounts do not apply to service, freight and or repairs. X:\MARKETING\Labiles\Labiles Issue 1.OCT18\DEC18.2.6.7.18